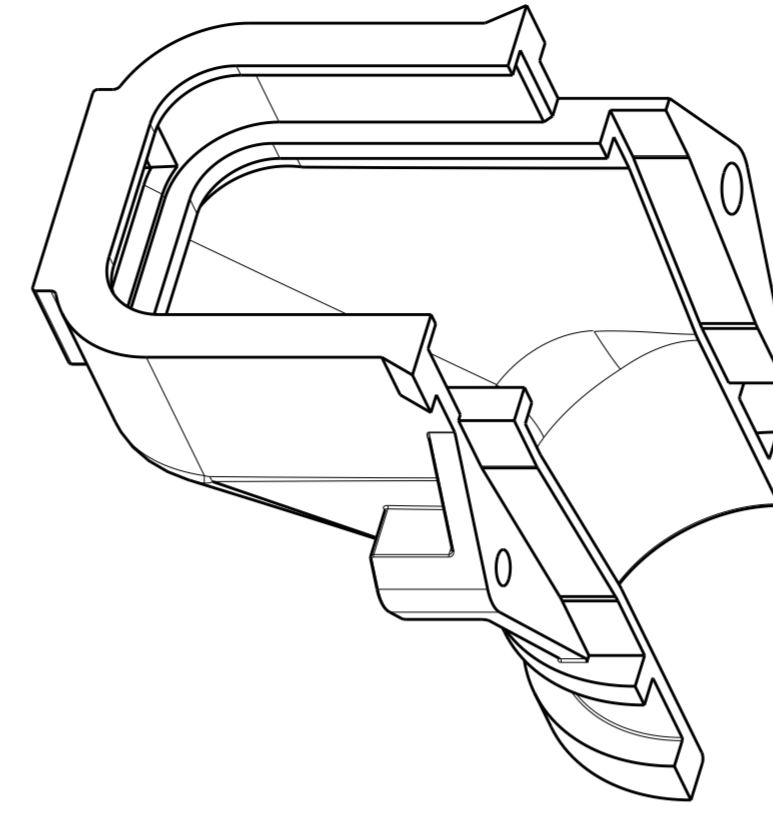
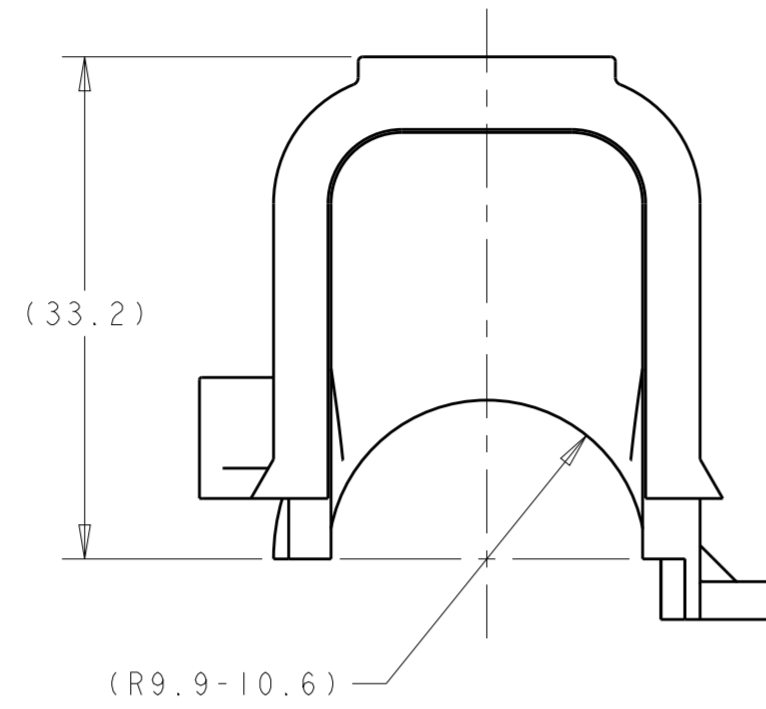


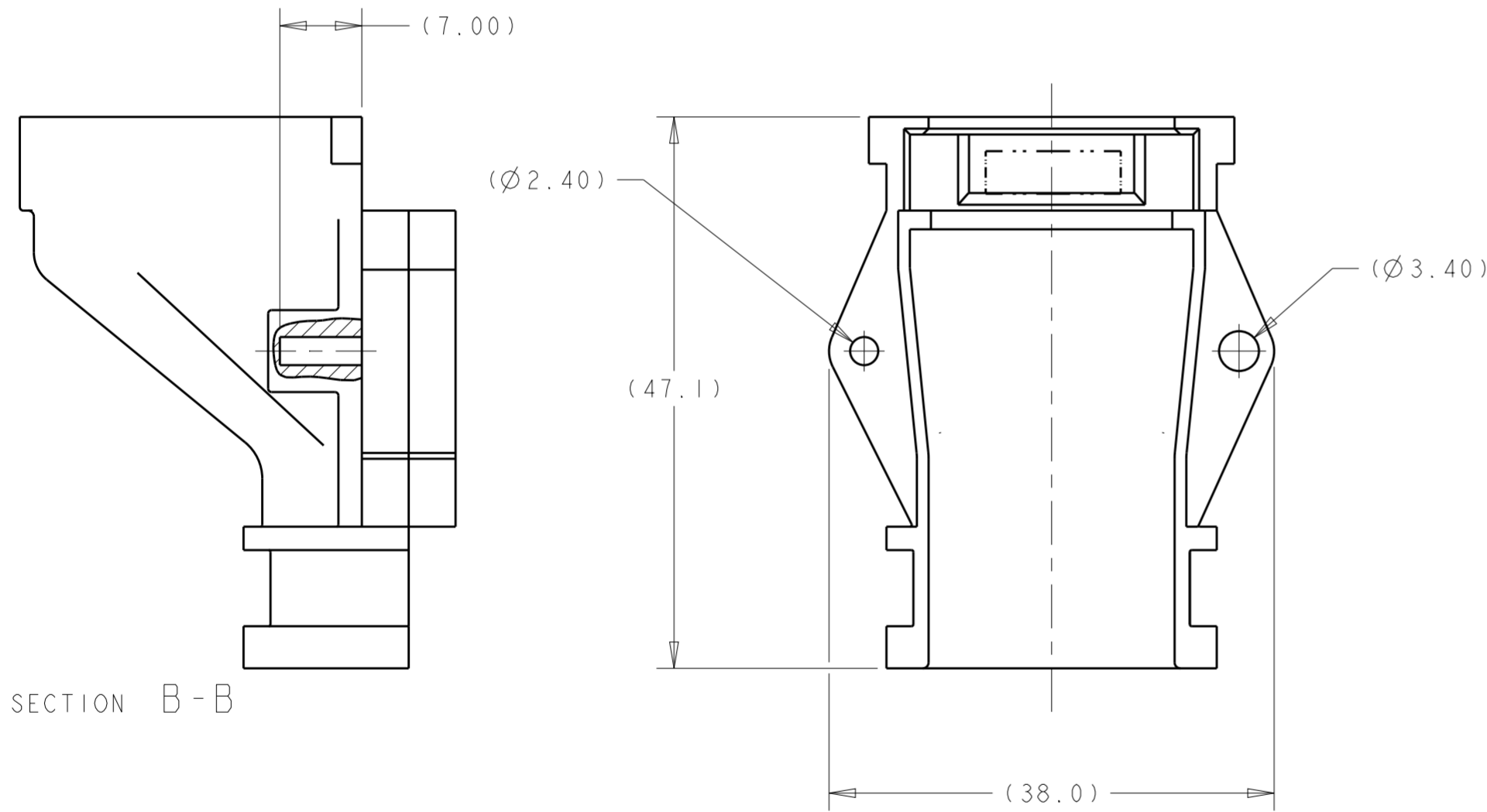
THIS DRAWING IS UNPUBLISHED. RELEASED FOR PUBLICATION 20
 © COPYRIGHT 20 BY - ALL RIGHTS RESERVED.

| REVISIONS | | | | | |
|-----------|-----|---------------------------|-----------|-----|------|
| P | LTR | DESCRIPTION | DATE | DWN | APVD |
| B1 | | REVISED PER 0K40-0113-04 | 27APR2004 | AG | MT |
| B2 | | REVISED PER ECO-15-007694 | 21MAY2015 | DD | DS |
| | | | | | |



SCALE 2:1

- 1 MATERIAL: PBT, 15% GLASS FILLED, COLOR: BLACK
- 2. ACCEPTS #4 SELF TAPPING SCREW (ELCO HI-LO THREAD CUTTING STYLE OR EQUIVALENT) TO BE DRIVEN AT 0.6±0.2 N-M FOR INITIAL ASSEMBLY.



776463-1
PART NUMBER

| | | | | |
|--|------------|-------------------------------|--------------------------------------|--|
| THIS DRAWING IS A CONTROLLED DOCUMENT. | | DWN R. VESTAL 01APR2003 | TE Connectivity | |
| | | CHK M. TRULL 01APR2003 | | |
| | | APVD M. TRULL 01APR2003 | NAME WIRE, RELIEF, 35 POSITION | |
| DIMENSIONS: | | PRODUCT SPEC | | |
| mm | | APPLICATION SPEC | | |
| | | WEIGHT | | |
| TOLERANCES UNLESS OTHERWISE SPECIFIED: | | SCALE 2:1 SHEET 1 OF 1 REV B2 | | |
| 0 PLC ±- | 1 PLC ±- | CUSTOMER DRAWING | | |
| 2 PLC ±0.10 | 3 PLC ±- | | | |
| 4 PLC ±- | ANGLES ±2° | | | |
| FINISH - | - | | | |